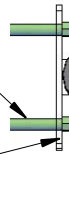


ATTACH TO WALL
W/APPROPRIATE FASTENERS

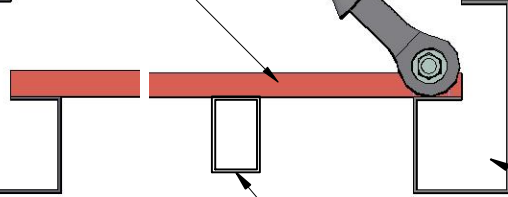
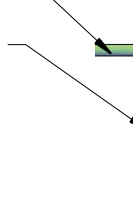
6"X6"X1/4"
ALUM PLATE



STANDING SEAM
METAL PAN
FACTORY FINISH

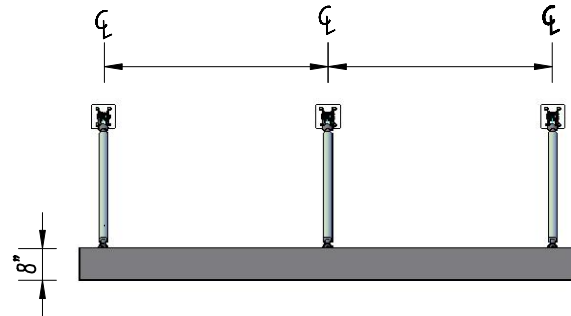
ATTACH TO WALL
W/APPROPRIATE FASTENERS

8" GUTTER PROFILE
ALUMINUM FRAME



2"X3" SPREADER

8" GUTTER PROFILE
ALUMINUM FRAME



2

FRONT VIEW

Scale: 1/4" = 1'-0"

2

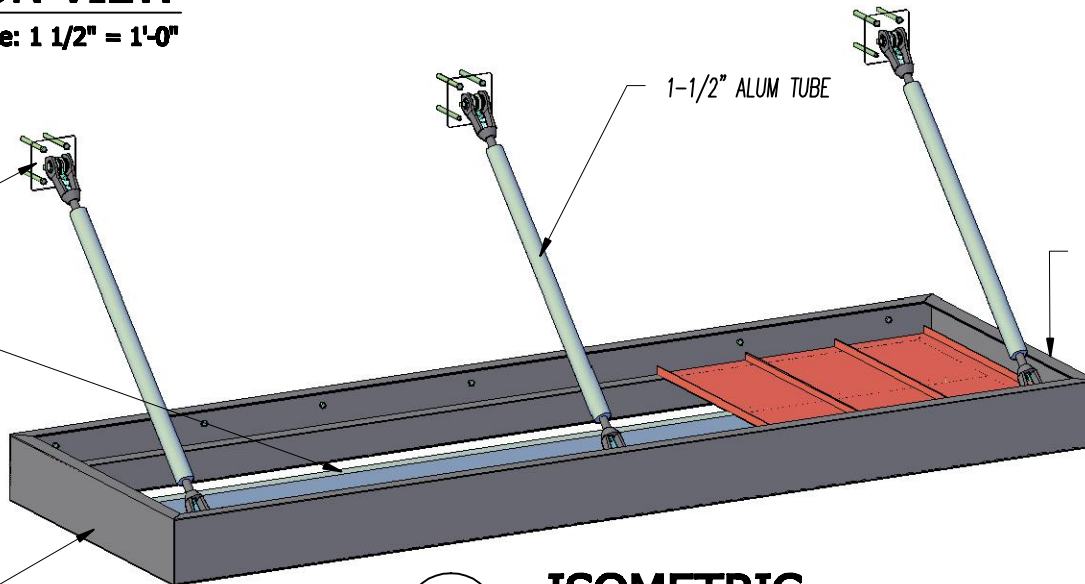
SECTION VIEW

Scale: 1 1/2" = 1'-0"

6"X6"X1/4"
ALUM PLATE

2"X3" SPREADER

8" GUTTER PROFILE
ALUMINUM FRAME



1-1/2" ALUM TUBE

8" GUTTER PROFILE
ALUMINUM FRAME

1

ISOMETRIC

Scale: NTS

METAL CANOPY
Shop Drawings
STANDARD CONFIGURATION

Contact: SALES
Sunstate Awning & Grph Design.
(407) 330-1044

