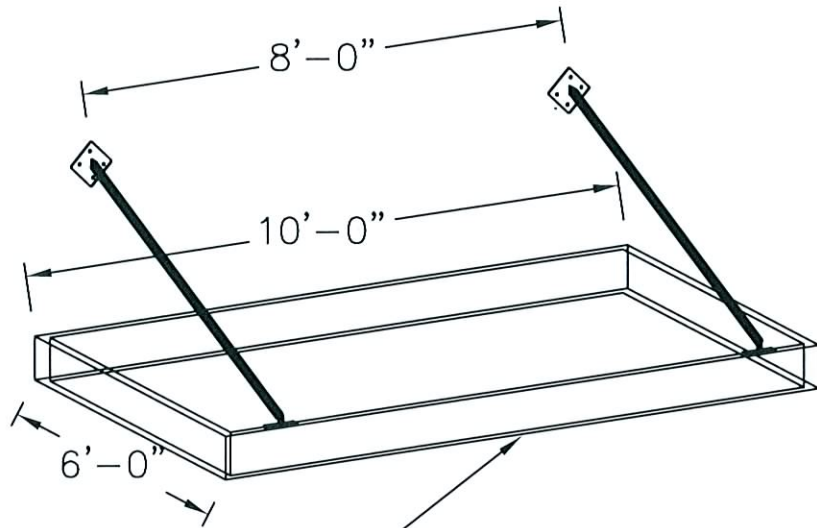


Notes:

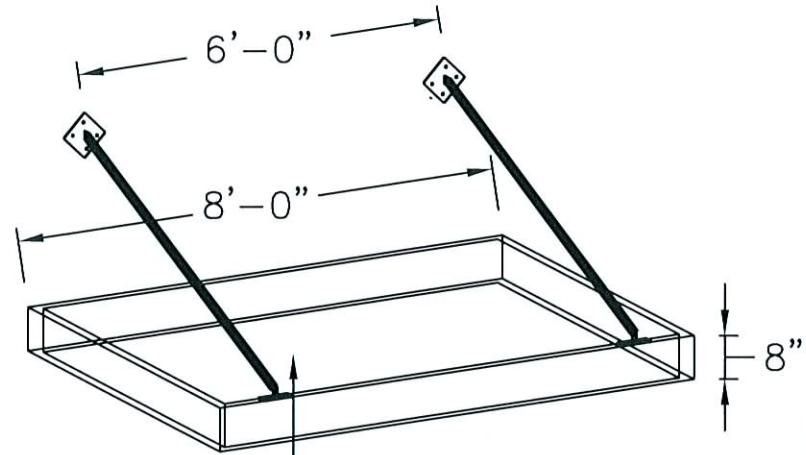
Support arms are 2" Sch 40 Alum pipe with bolt connections
Top structure is 2x6 alum tube. All connections are welded.

Standard Box Metal Canopy
Shop Drawings
2x6 Alum Skirt

Contact: Sales Dept.
Sunstate Awning & Grph Design.
(407) 330-1044



All members
2x6" rect alum
tubing.



Standing Seam
metal roof panels
to fill area.

⊙ Axonometric View